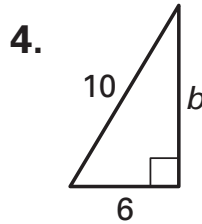
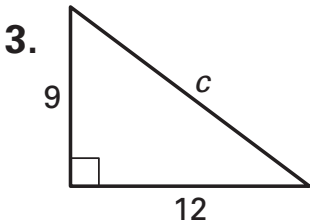


WARM-UP EXERCISES

For use before Lesson 9.3, pages 491–499

- Find the width of a rectangle with perimeter 24 meters and length 8 meters. Then find the area of the rectangle.
- A square has an area of 36 square inches. Find the perimeter.

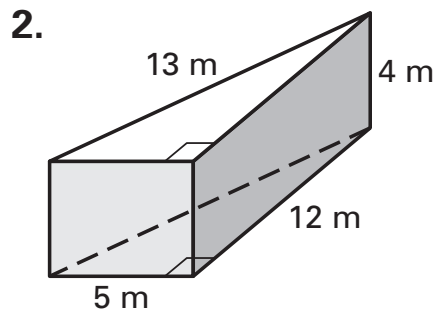
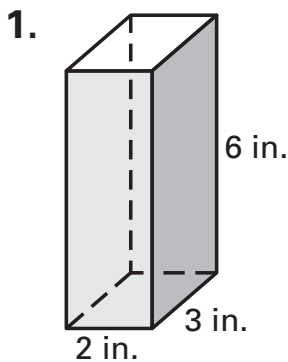
Find the missing length.



DAILY HOMEWORK QUIZ

For use after Lesson 9.2, pages 481–490

Find the surface area of the prism.



Find the surface area of the cylinder. Round your answer to the nearest whole number.

